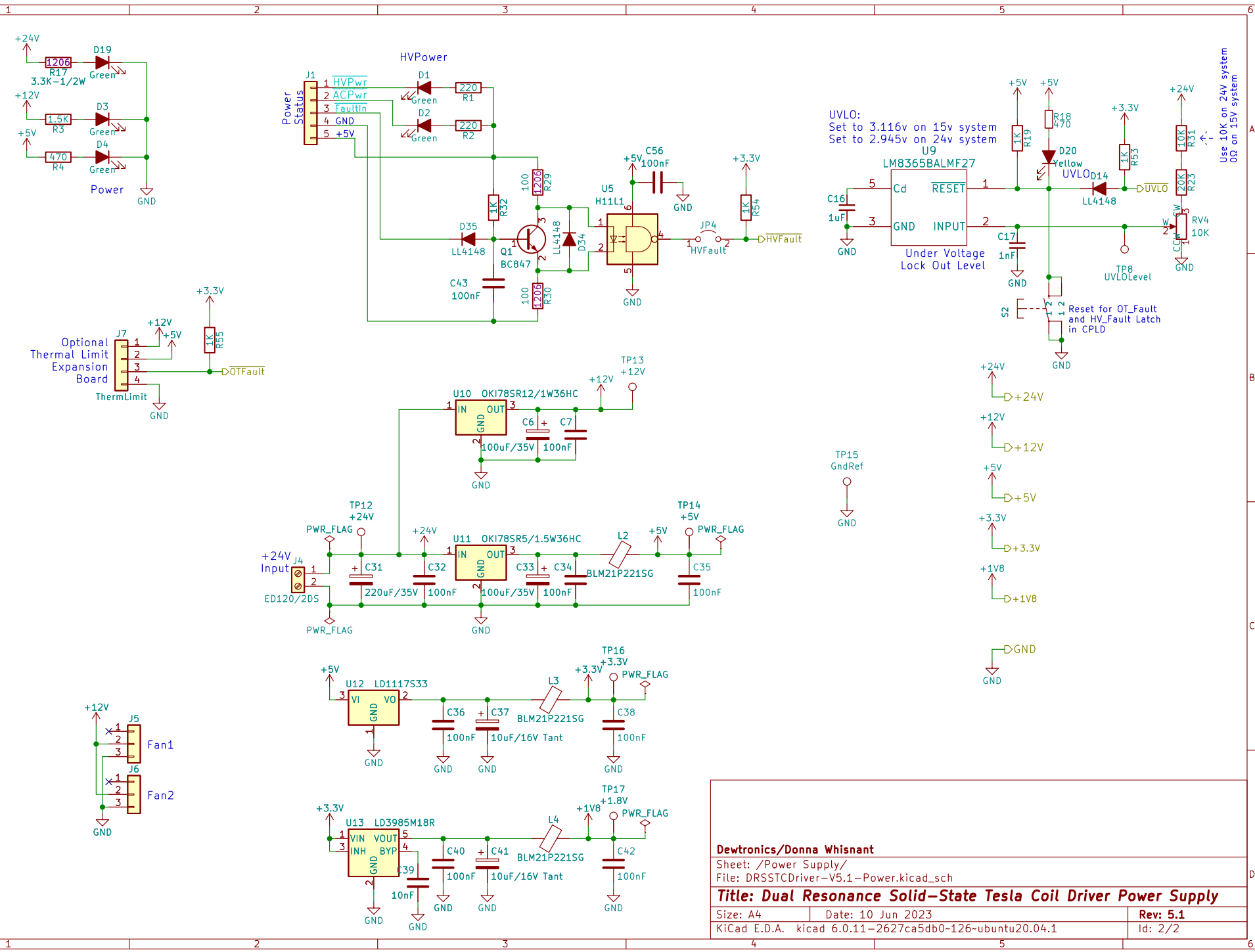


Dewtronics/Donna Whisnant
 Sheet: /
 File: DRSSTCDriver-V5.1.kicad_sch
Title: Dual Resonance Solid-State Tesla Coil Driver
 Size: A4 Date: 10 Jun 2023 Rev: 5.1
 KiCad E.D.A. kicad 6.0.11-2627ca5db0-126-ubuntu20.04.1 Id: 1/2



UVLO:
 Set to 3.116v on 15v system
 Set to 2.945v on 24v system
 U9
 LM8365BALMF27
 Cd RESET 1
 GND INPUT 2
 Under Voltage Lock Out Level
 C16 1uF
 GND
 R19 1K
 R20 470
 D20 Yellow UVLO
 LL4148
 TP8 UVLOLevel
 C17 1nF
 GND
 S2
 1 2
 1 2
 GND
 R23 10K
 R31 10K
 R32 10K
 RV4 10K
 C24 10K
 GND
 Use 10K on 24V system
 Or on 15V system

Dewtronics/Donna Whisnant	
Sheet: /Power Supply/ File: DRSSTCDriver-V5.1-Power.kicad_sch	
Title: Dual Resonance Solid-State Tesla Coil Driver Power Supply	
Size: A4	Date: 10 Jun 2023
KiCad E.D.A. kicad 6.0.11-2627ca5db0-126-ubuntu20.04.1	Rev: 5.1 Id: 2/2