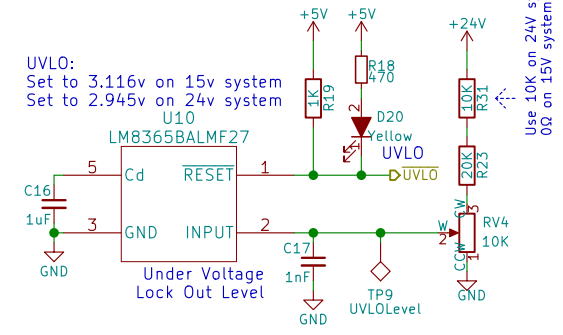
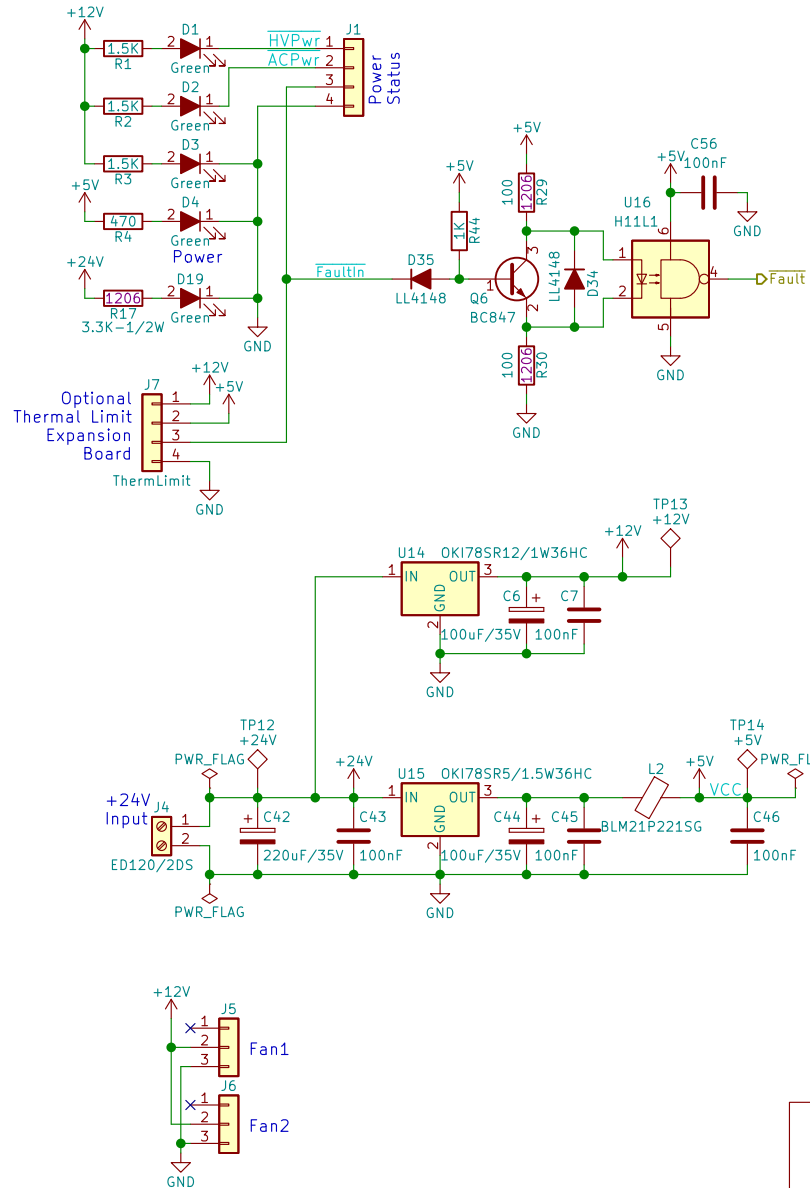


Dewtronics/Donna Whisnant
 Sheet: /
 File: DRSSSTCDriver-V3.2.sch
Title: Dual Resonance Solid-State Tesla Coil Driver
 Size: A4 Date: 15 Aug 2021 Rev: 3.2
 KiCad E.D.A. kicad 5.1.1.0-88a1d61d5890ubuntu20.04.1 Id: 1/2



Use 10K on 24v system
0Ω on 15v system

Dewtronics/Donna Whisnant		
Sheet: /Power Supply/ File: DRSSTCDriver-V3.2-Power.sch		
Title: Dual Resonance Solid-State Tesla Coil Driver Power Supply		
Size: A4	Date: 15 Aug 2021	Rev: 3.2
KiCad E.D.A. kicad 5.1.1.0-88a1d61d5890ubuntu20.04.1		Id: 2/2