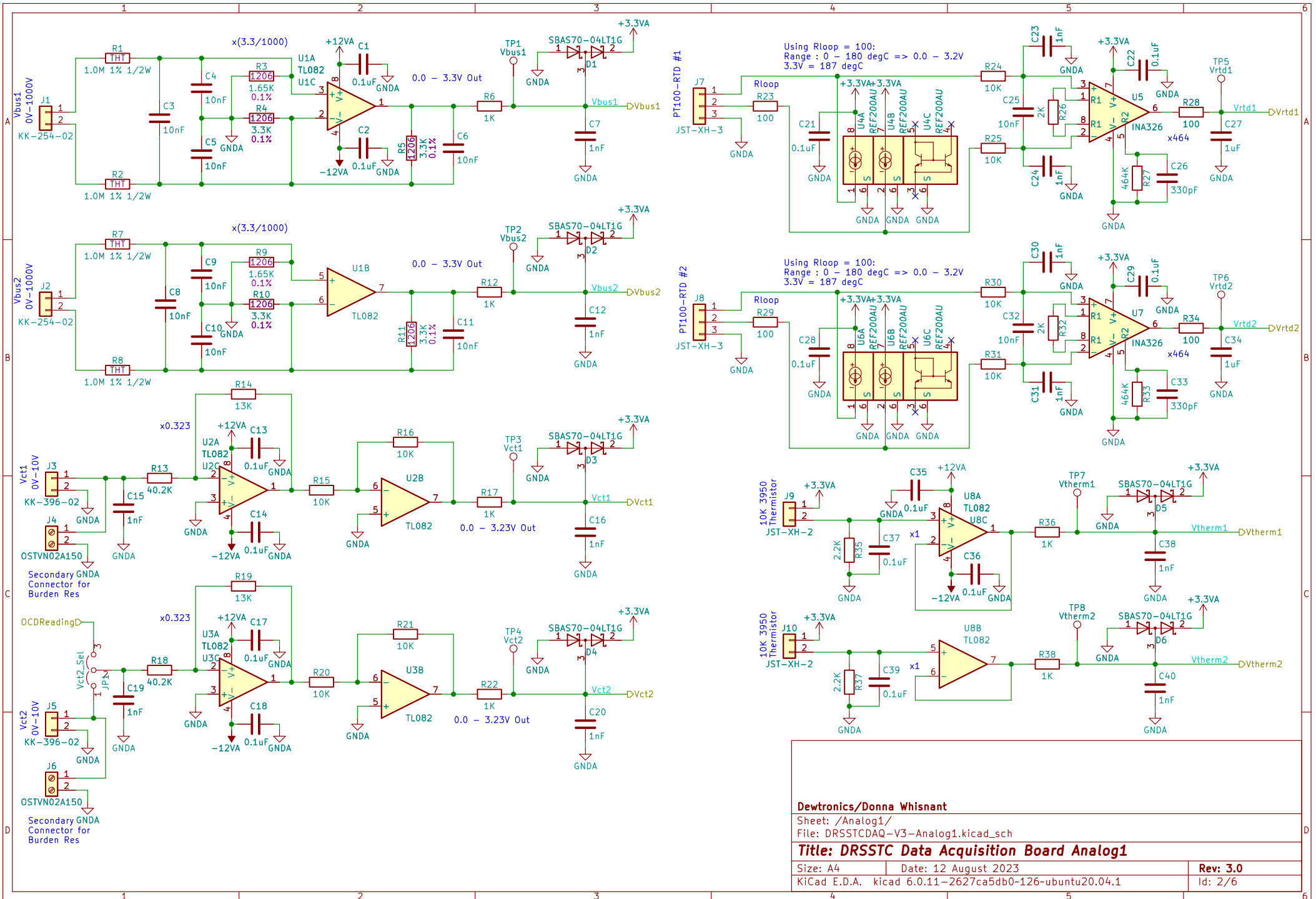
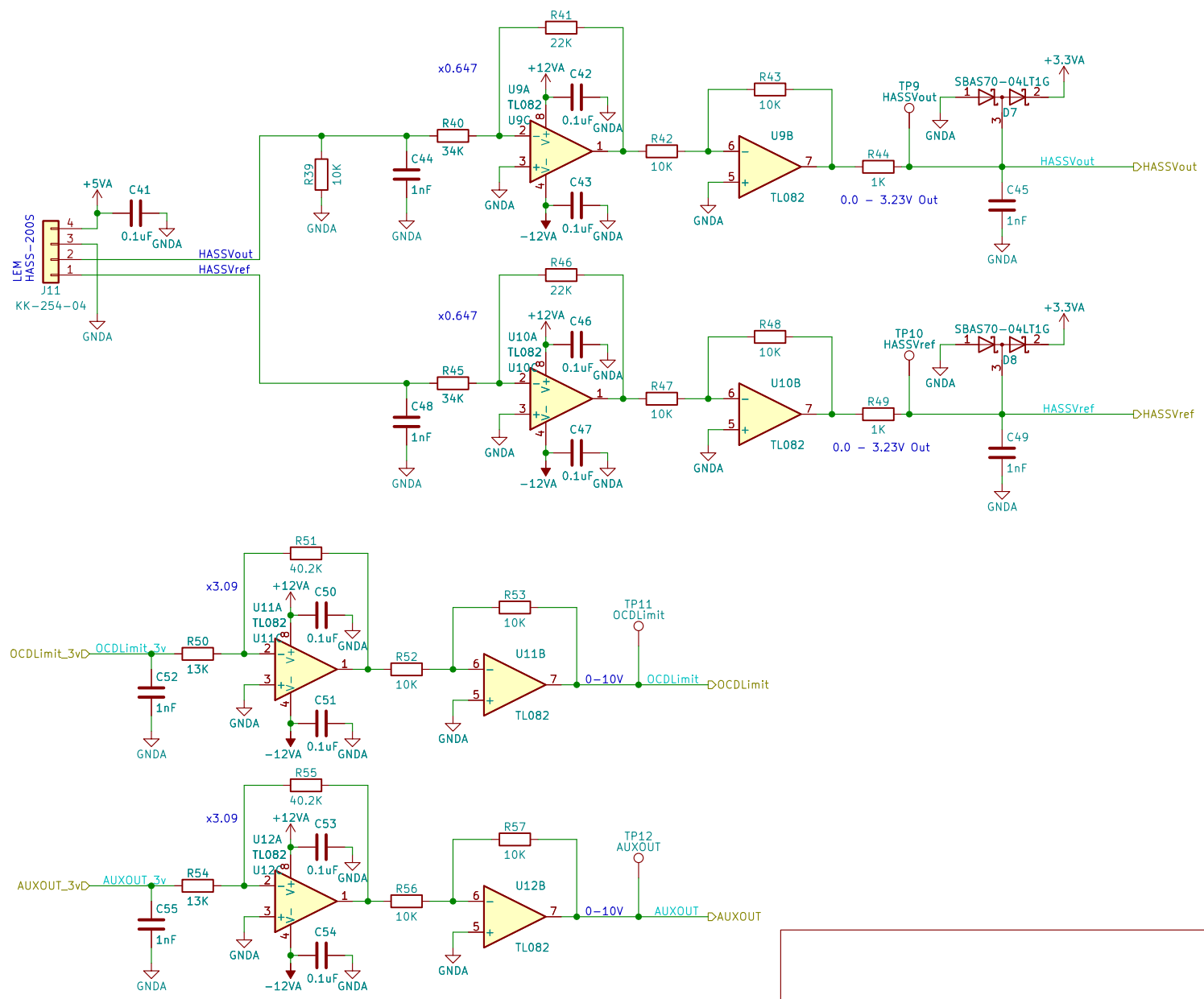


Dewtronics/Donna Whisnant		
Sheet: /		
File: DRSSTCDAQ-V3.kicad_sch		
Title: DRSSTC Data Acquisition Board		
Size: A4	Date: 12 August 2023	Rev: 3.0
KiCad E.D.A. kicad 6.0.11-2627ca5db0-126-ubuntu20.04.1		Id: 1/6



Dewtronics/Donna Whisnant	
Sheet: /Analog1/	
File: DRSSTCDAQ-V3-Analog1.kicad_sch	
Title: DRSSTC Data Acquisition Board Analog1	
Size: A4	Date: 12 August 2023
KiCad E.D.A. kicad 6.0.11-2627ca5db0-126-ubuntu20.04.1	Rev: 3.0
	Id: 2/6



Dewtronics/Donna Whisnant

Sheet: /Analog2/

File: DRSSTCDAQ-V3-Analog2.kicad_sch

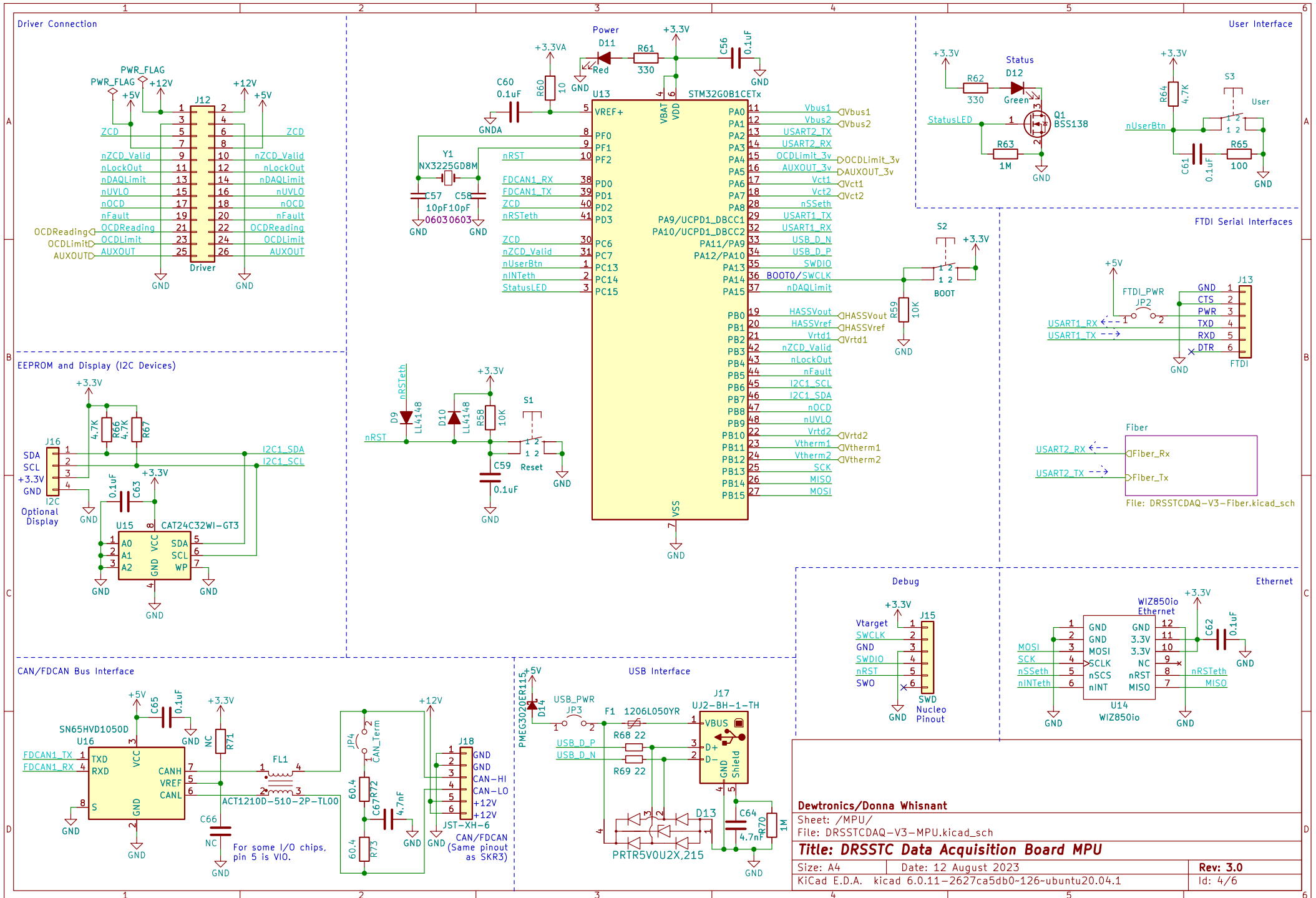
Title: DRSSTC Data Acquisition Board Analog2

Size: A4 Date: 12 August 2023

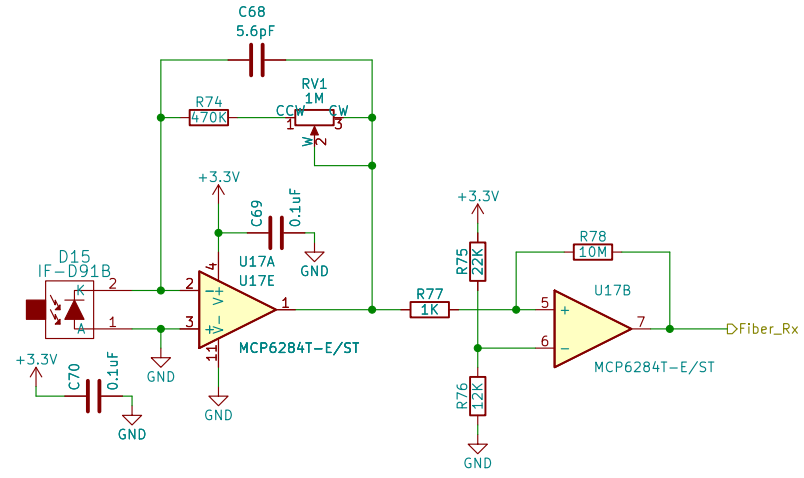
KiCad E.D.A. kicad 6.0.11-2627ca5db0-126-ubuntu20.04.1

Rev: 3.0

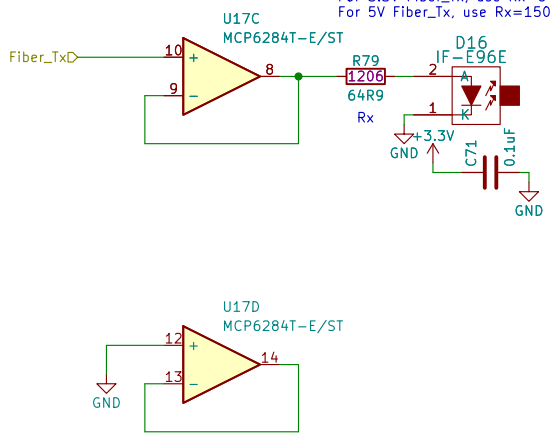
Id: 3/6



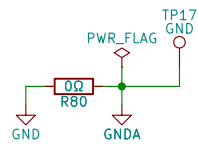
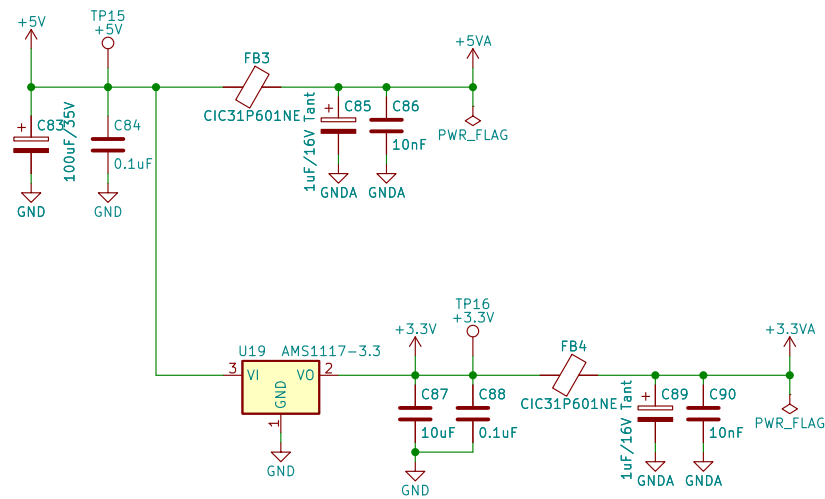
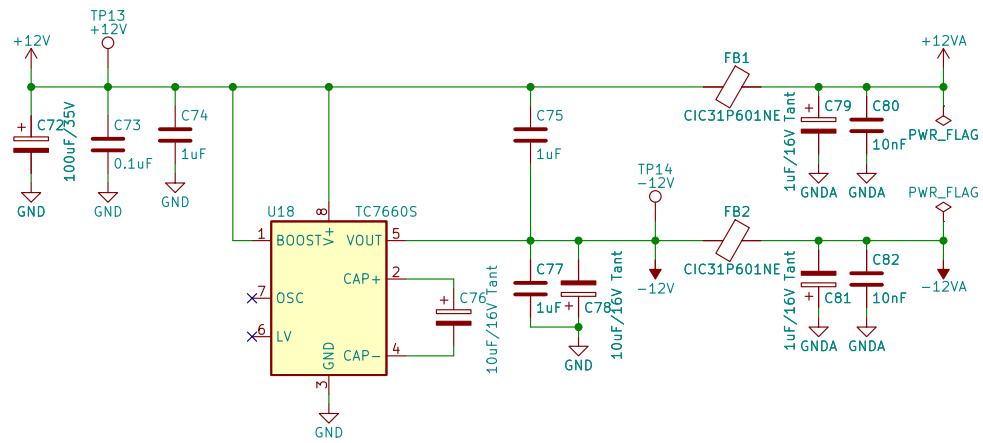
Dewtronics/Donna Whisnant
 Sheet: /MPU/
 File: DRSSTCDAQ-V3-MPU.kicad_sch
Title: DRSSTC Data Acquisition Board MPU
 Size: A4 | Date: 12 August 2023 | Rev: 3.0
 KiCad E.D.A. kicad 6.0.11-2627ca5db0-126-ubuntu20.04.1 | Id: 4/6



Note:
 For 3.3V Fiber_Tx, use Rx=64,9
 For 5V Fiber_Tx, use Rx=150



Dewtronics/Donna Whisnant	
Sheet: /MPU/Fiber/	
File: DRSSTCDAQ-V3-Fiber.kicad_sch	
Title: DRSSTC Data Acquisition Board Fiber Connection	
Size: A4	Date: 12 August 2023
KiCad E.D.A. kicad 6.0.11-2627ca5db0-126-ubuntu20.04.1	Rev: 3.0
	Id: 5/6



Dewtronics/Donna Whisnant

Sheet: /Power/

File: DRSSTCDAQ-V3-Power.kicad_sch

Title: DRSSTC Data Acquisition Board Power Supply

Size: A4

Date: 12 August 2023

Rev: 3.0

KiCad E.D.A. kicad 6.0.11-2627ca5db0-126-ubuntu20.04.1

Id: 6/6