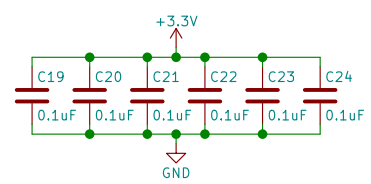
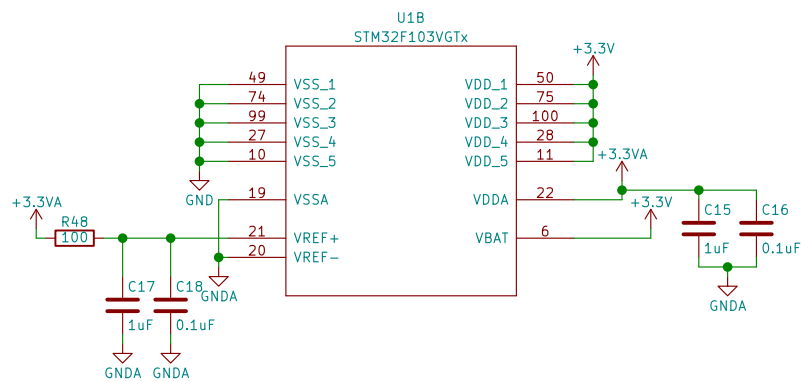


Dewtronics/Donna Whisnant
 Mono Select Left Select MIDI Select
 Open=Mono Open=Left Open=MIDI
 Closed=Stereo Closed=Right Closed=FixedFreq

Sheet: /
 File: DRSSTCMidIntSTM32F103-V1.sch
Title: Dual Res. Solid-State Tesla Coil MIDI Interrupter STM32F103
 Size: A4 Date: 02 Feb 2019 Rev: 1.0
 KiCad E.D.A. kicad 4.0.7-e2-637658ubuntu14.04.1 Id: 1/2



Five for CPU
One for EEPROM

Dewtronics/Donna Whisnant		
Sheet: /PwrDist/		
File: DRSSTCMidIntSTM32F103-V1-PwrDist.sch		
Title: Dual Res. Solid-State Tesla Coil MIDI Interrupter STM32F103		
Size: A4	Date: 02 Feb 2019	Rev: 1.0
KiCad E.D.A. kicad 4.0.7-e2-637658ubuntu14.04.1		Id: 2/2